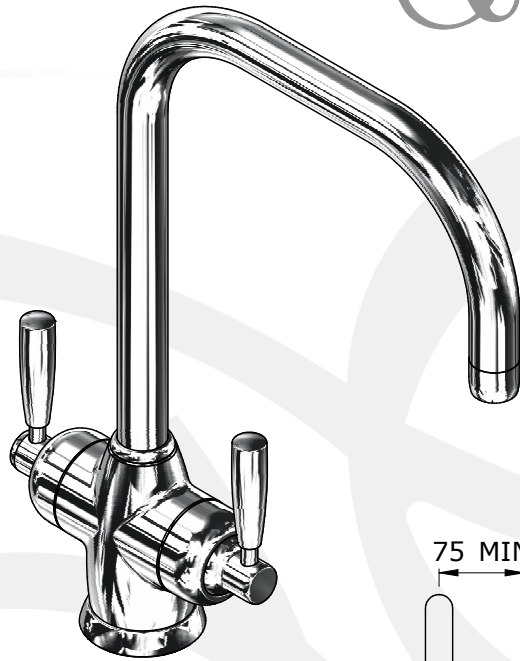


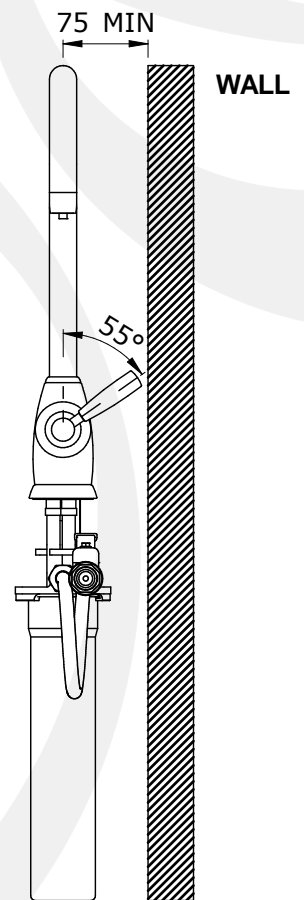
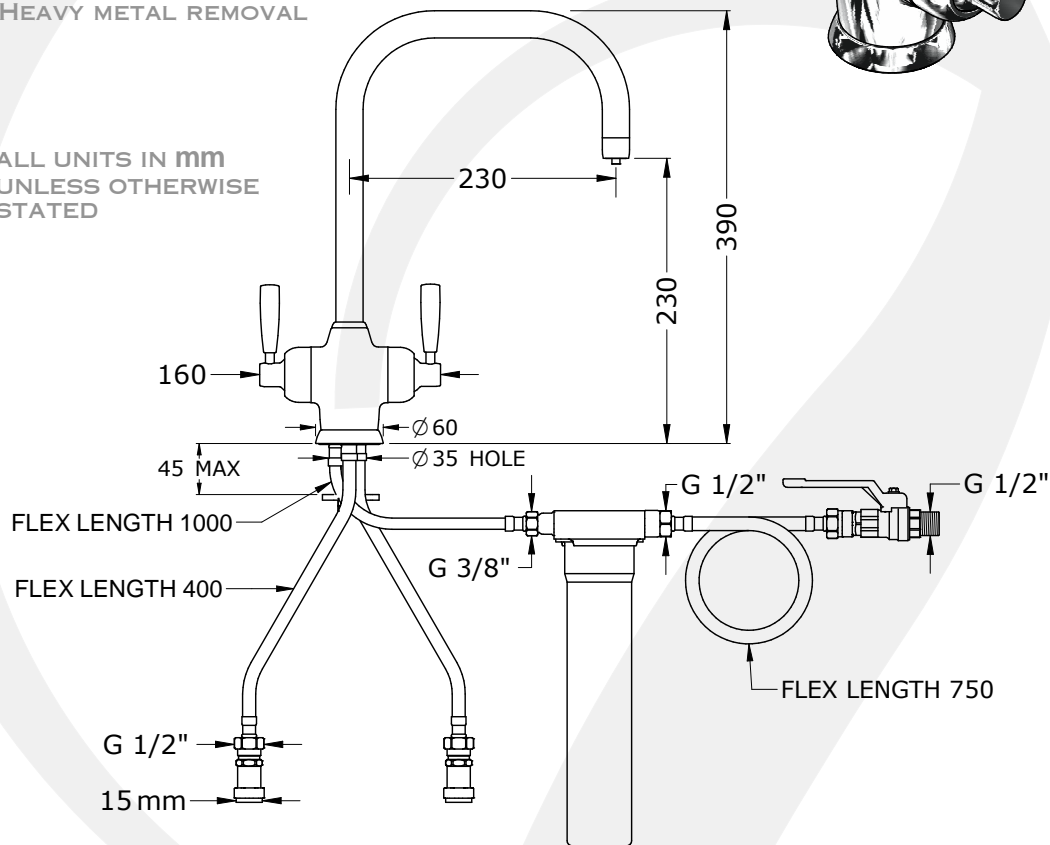
• SPECIFICATION •

• 1445 - MIMAS U-SPOUT SINK MIXER WITH FILTRATION

- HANDCRAFTED IN THE UK
- CERAMIC DISC FLOW CONTROL
- VERNIER INSERT FOR ACCURATE HANDLE ALIGNMENT
- AERATED SINGLE FLOW SPOUT
- FLEXIBLE CONNECTORS FOR EASIER INSTALLATION
- IDEALLY INSTALLED IN EQUAL PRESSURE SYSTEMS
- SUPPLIED WITH WHITE CERAMIC LEVERS
- SUPPLIED WITH 15MM CHECK VALVES
- STAINLESS STEEL FILTER HOUSING
- SWISS MADE KATADYN FILTER
- FILTERS DOWN TO 0.2 MICRONS
- ACTIVATED CARBON CORE
- REDUCES CHLORINE, ODOUR AND BAD TASTE
- HEAVY METAL REMOVAL



ALL UNITS IN mm
UNLESS OTHERWISE
STATED



AVAILABLE FINISHES:

- CHROME
- NICKEL
- PEWTER
- POLISHED BRASS
- SATIN BRASS
- AGED BRASS
- GOLD
- ENGLISH BRONZE

• TEMP RANGE:
MIN 1°C / 34°F
MAX 70°C / 158°F

• RECOMMENDED
WORKING PRESSURE:
MIN 1 BAR / 15PSI
MAX 5BAR / 75PSI

• PACKED WEIGHT:
6.3 KG

AVAILABLE OPTIONS:

- FLOW REGULATED SPOUT (PREFIX AR.)
- RINSE VERSION
- MATCHING SOAP DISPENSERS
- C SPOUT VERSION

FLOW RATES:

- 1 BAR:
- 2 BAR:
- 3 BAR: